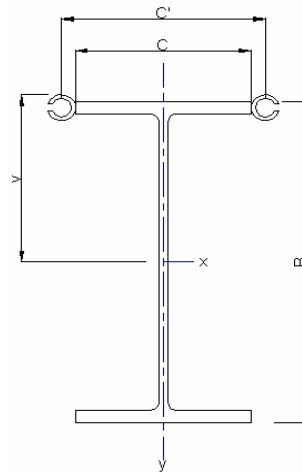


SHEET PILE UNIT PROPERTIES

Section	Dimension			Section Area	Unit Weight	Moment of Inertia	Modulus of Section
	w	h	t				
	mm	mm	mm				
			cm ²	kg/m	cm ⁴	cm ³	
ESC-S8	1440	415	8	156.3	122.7	41,330	1960
ESC-S10	1440	416	10	192.4	151.0	50,530	2420
ESC-S12	1440	417	12	228.3	179.2	59,730	2865

DISCLAIMER:

The information in this catalogue is to the best of knowledge correct at the time of publication. ESC reserves the right to modify data without notice. Unless the application and service of this information is approved by ESC, then no ability can be accepted on the basis of this catalogue. Due to the changing nature of technical standards and information ESC recommends that contact is made with the ESC technical staff in an office near you for the latest product data sheets.

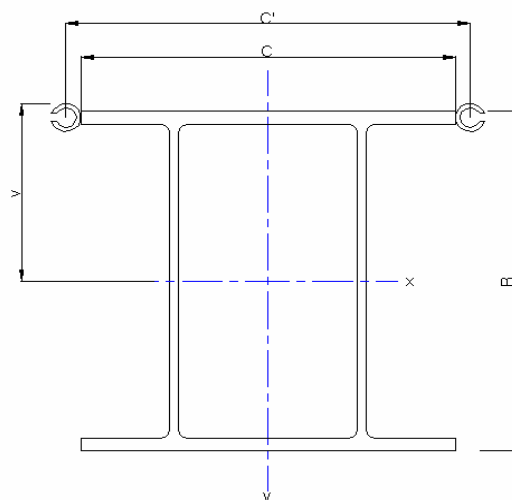


SINGLE H- PILE UNIT PROPERTIES

Section	Dimension (mm)				Section Area (cm ²)	Mass (kg/m)	Elastic Section Modulus, Z _x (cm ³)	Moment of Inertia , I _x (cm ⁴)	Radius of Gyration, r _x (cm)
	B	C	C'	v					
H50/20A-1	496	199	259	271	135.5	106.4	1,840	56,840	20.48
H50/20B-1	500	200	260	272	148.5	116.6	2,070	63,380	20.66
H50/20C-1	506	201	261	274	165.6	130.0	2,400	72,725	20.96
H60/30A-1	582	300	360	313	208.8	163.9	3,725	125,660	24.53
H60/30B-1	588	300	360	314	226.8	178.0	4,205	141,660	24.99
H60/30C-1	594	302	362	316	256.7	201.5	4,825	161,610	25.09
H70/30A-1	692	300	360	366	245.7	192.9	5,240	205,800	28.94
H70/30B-1	700	300	360	368	269.8	211.8	6,000	235,750	29.56
H70/30C-1	708	302	362	370	307.9	241.7	6,955	272,430	29.75
H90/40A-1	915	400	460	478	343.6	269.7	10,600	507,400	38.43
H90/40B-1	915	400	460	475	411.2	322.8	12,775	602,430	38.28
H90/40C-1	915	400	460	473	455.2	357.3	15,175	683,685	38.76

Disclaimer:

The information in this catalogue is to the best of knowledge correct at the time of publication. ESC reserves the right to modify data without notice. Unless the application and service of this information is approved by ESC, then no ability can be accepted on the basis of this catalogue. Due to the changing nature of technical standards and information ESC recommends that contact is made with the ESC technical staff in an office near you for the latest product data sheets.

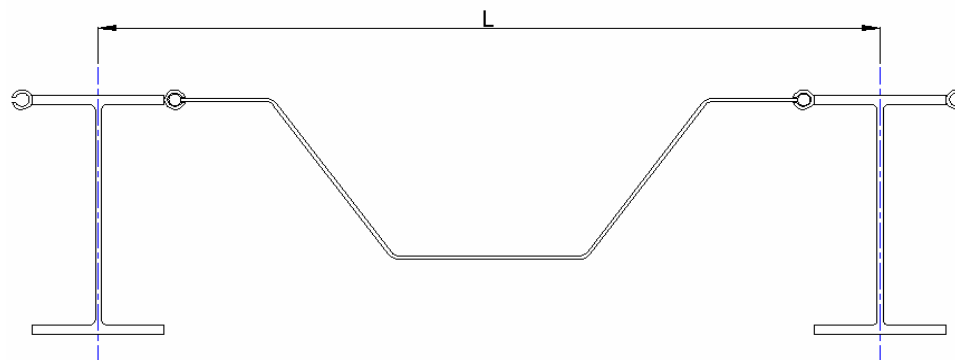


DOUBLE H- PILE UNIT PROPERTIES

Section	Dimension (mm)				Section Area (cm ²)	Mass (kg/m)	Elastic Section Modulus, Z _x (cm ³)	Moment of Inertia, I _x (cm ⁴)	Radius of Gyration, r _x (cm)
	B	C	C'	v					
H50/20A-2	496	398	458	271	236.8	185.9	3,265	100,855	20.64
H50/20B-2	500	400	460	272	262.7	206.2	3,700	113,240	20.76
H50/20C-2	506	402	462	274	296.8	233.0	4,320	131,100	21.02
H60/30A-2	582	600	660	313	383.2	300.8	6,830	230,410	24.52
H60/30B-2	588	600	660	314	419.2	329.1	7,770	261,685	24.98
H60/30C-2	594	604	664	316	479.1	376.1	8,970	300,660	25.05
H70/30A-2	692	600	660	366	457.3	359.0	9,700	380,710	28.85
H70/30B-2	700	600	660	368	505.2	396.6	11,190	439,550	29.50
H70/30C-2	708	604	664	370	581.7	456.6	13,060	511,640	29.66
H90/40A-2	915	800	860	478	634.8	498.3	19,500	910,640	37.88
H90/40B-2	915	800	860	475	767.0	602.1	23,375	1,094,000	37.77
H90/40C-2	915	800	860	473	849.2	666.6	26,510	1,246,000	38.31

Disclaimer:

The information in this catalogue is to the best of knowledge correct at the time of publication. ESC reserves the right to modify data without notice. Unless the application and service of this information is approved by ESC, then no ability can be accepted on the basis of this catalogue. Due to the changing nature of technical standards and information ESC recommends that contact is made with the ESC technical staff in an office near you for the latest product data sheets.

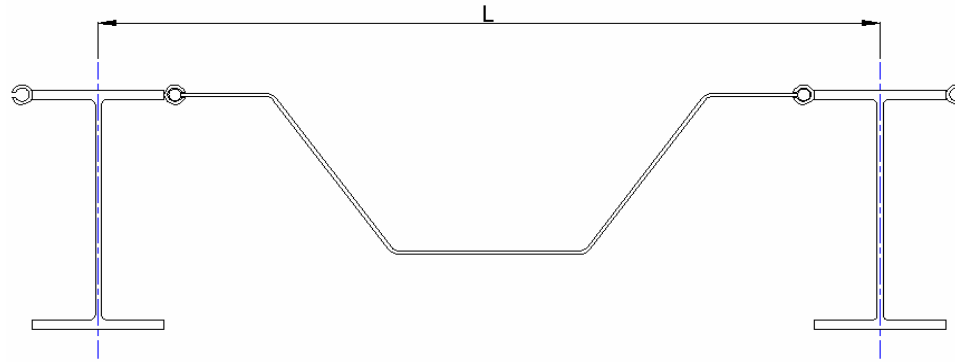


COMBINATION ESC H.../...-1/8

Section	Unit Length L (m)	Properties per meter of wall			Weight Combination		
		Sectional Area (cm ² /m)	Moment of Inertia, I _x (cm ⁴ /m)	Section Modulus, Z _x (cm ³ /m)	SP=60%H (kg/m ²)	SP=75%H (kg/m ²)	SP=100%H (kg/m ²)
		ESC H50/20A-1/8	1.70	171.7	57,745	1,870	99.6
ESC H50/20B-1/8	1.70	179.4	61,595	2,015	105.6	118.8	140.8
ESC H50/20C-1/8	1.70	189.4	67,090	2,210	113.5	126.7	148.7
ESC H60/30A-1/8	1.80	202.8	92,770	2,750	126.0	138.5	159.2
ESC H60/30B-1/8	1.80	212.9	101,665	3,020	133.9	146.3	167.1
ESC H60/30C-1/8	1.80	229.4	112,745	3,365	146.9	159.4	180.1
ESC H70/30A-1/8	1.80	223.4	137,295	3,495	142.1	154.6	175.4
ESC H70/30B-1/8	1.80	236.7	153,930	3,920	152.6	165.1	185.8
ESC H70/30C-1/8	1.80	258.0	174,310	4,450	169.2	181.7	202.5
ESC H90/40A-1/8	1.90	263.1	288,805	6,035	175.1	186.9	206.5
ESC H90/40B-1/8	1.90	302.5	338,820	7,185	203.0	214.8	237.5
ESC H90/40C-1/8	1.90	321.9	381,590	8,215	221.2	233.0	252.7

Disclaimer:

The information in this catalogue is to the best of knowledge correct at the time of publication. ESC reserves the right to modify data without notice. Unless the application and service of this information is approved by ESC, then no ability can be accepted on the basis of this catalogue. Due to the changing nature of technical standards and information ESC recommends that contact is made with the ESC technical staff in an office near you for the latest product data sheets.

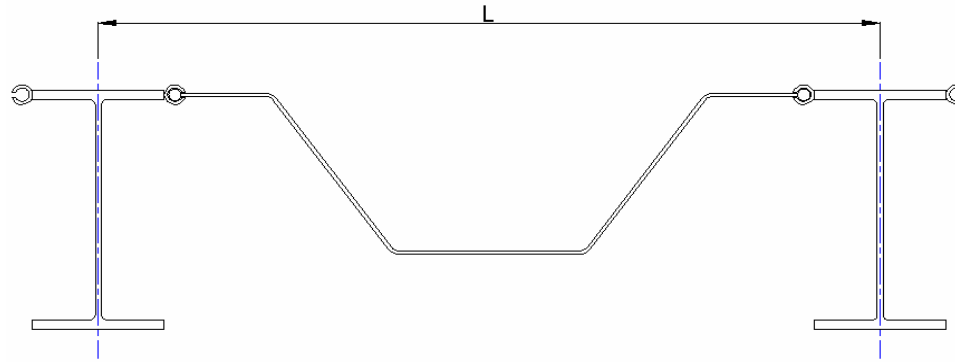


COMBINATION ESC H.../...-1/10

Section	Unit Length L (m)	Properties per meter of wall			Weight Combination		
		Sectional Area (cm ² /m)	Moment of Inertia, I _x (cm ⁴ /m)	Section Modulus, Z _x (cm ³ /m)	SP=60%H (kg/m ²)	SP=75%H (kg/m ²)	SP=100%H (kg/m ²)
ESC H50/20A-1/10	1.70	192.9	63,050	2,040	109.6	125.3	151.4
ESC H50/20B-1/10	1.70	200.5	67,005	2,190	115.6	131.3	157.4
ESC H50/20C-1/10	1.70	210.6	72,505	2,390	123.4	139.1	165.3
ESC H60/30A-1/10	1.80	222.8	97,880	2,900	135.4	150.2	174.9
ESC H60/30B-1/10	1.80	232.9	106,775	3,170	143.3	158.1	182.8
ESC H60/30C-1/10	1.80	249.4	117,860	3,515	156.3	171.1	195.8
ESC H70/30A-1/10	1.80	243.4	142,405	3,625	151.6	166.4	191.1
ESC H70/30B-1/10	1.80	256.7	159,045	4,050	162.0	177.1	201.5
ESC H70/30C-1/10	1.80	278.3	179,420	4,580	178.7	193.5	218.5
ESC H90/40A-1/10	1.90	282.0	293,645	6,135	184.0	198.0	221.4
ESC H90/40B-1/10	1.90	317.7	343,665	7,290	211.9	226.0	249.4
ESC H90/40C-1/10	1.90	340.8	386,430	8,320	230.1	244.1	267.5

Disclaimer:

The information in this catalogue is to the best of knowledge correct at the time of publication. ESC reserves the right to modify data without notice. Unless the application and service of this information is approved by ESC, then no ability can be accepted on the basis of this catalogue. Due to the changing nature of technical standards and information ESC recommends that contact is made with the ESC technical staff in an office near you for the latest product data sheets.

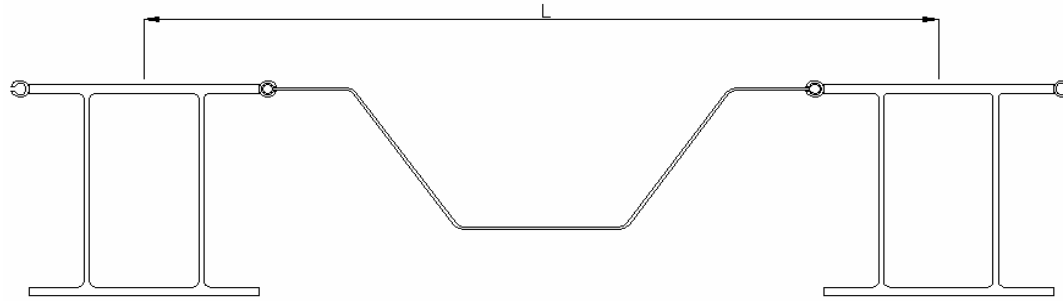


COMBINATION ESC H.../...-1/12

Section	Unit Length L (m)	Properties per meter of wall			Weight Combination		
		Sectional Area (cm ² /m)	Moment of Inertia, I _x (cm ⁴ /m)	Section Modulus, Z _x (cm ³ /m)	SP=60%H (kg/m ²)	SP=75%H (kg/m ²)	SP=100%H (kg/m ²)
ESC H50/20A-1/12	1.70	214.0	68,570	2,220	119.6	137.7	168.0
ESC H50/20B-1/12	1.70	221.7	72,420	2,370	125.5	143.7	174.0
ESC H50/20C-1/12	1.70	231.7	77,935	2,570	133.4	151.7	181.9
ESC H60/30A-1/12	1.80	242.8	102,995	3,050	144.8	162.0	190.6
ESC H60/30B-1/12	1.80	252.9	111,885	3,320	152.7	169.9	198.5
ESC H60/30C-1/12	1.80	269.4	122,970	3,670	165.7	182.9	211.5
ESC H70/30A-1/12	1.80	263.4	147,515	3,755	161.0	178.2	206.8
ESC H70/30B-1/12	1.80	276.7	164,155	4,180	171.4	188.6	217.2
ESC H70/30C-1/12	1.80	298.0	184,530	4,710	188.1	205.3	233.9
ESC H90/40A-1/12	1.90	301.0	298,490	6,235	192.9	209.2	236.3
ESC H90/40B-1/12	1.90	336.7	348,505	7,390	220.9	237.1	264.3
ESC H90/40C-1/12	1.90	359.7	391,270	8,420	239.0	255.3	282.4

Disclaimer:

The information in this catalogue is to the best of knowledge correct at the time of publication. ESC reserves the right to modify data without notice. Unless the application and service of this information is approved by ESC, then no ability can be accepted on the basis of this catalogue. Due to the changing nature of technical standards and information ESC recommends that contact is made with the ESC technical staff in an office near you for the latest product data sheets.

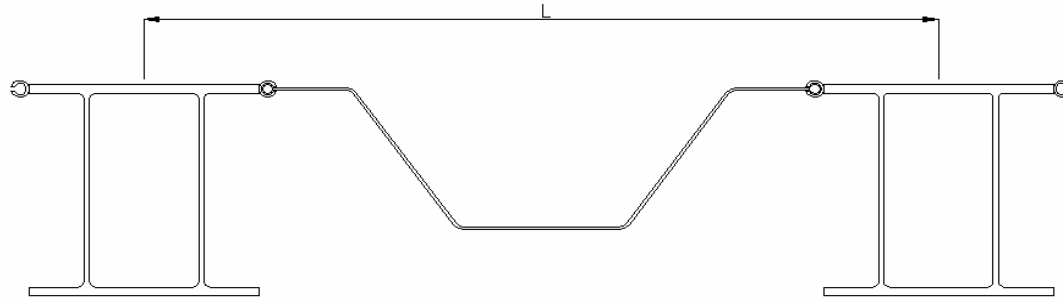


COMBINATION ESC H.../...-2/8

Section	Unit Length L	Properties per meter of wall			Weight Combination		
		Sectional Area	Moment of Inertia, I_x	Section Modulus, Z_x	SP=60%H	SP=75%H	SP=100%H
	(m)	(cm^2/m)	(cm^4/m)	(cm^3/m)	(kg/m^2)	(kg/m^2)	(kg/m^2)
ESC H50/20A-2/8	1.90	207.0	74,835	2,645	131.0	142.8	162.5
ESC H50/20B-2/8	1.90	220.6	81,350	2,890	141.7	153.5	173.2
ESC H50/20C-2/8	1.90	238.6	90,750	3,230	155.8	167.6	187.3
ESC H60/30A-2/8	2.10	256.9	129,400	4,090	173.2	184.0	201.7
ESC H60/30B-2/8	2.10	274.1	144,295	4,550	186.7	197.4	215.2
ESC H60/30C-2/8	2.10	302.5	162,850	5,130	209.0	219.7	237.5
ESC H70/30A-2/8	2.10	292.2	200,970	5,415	200.9	211.6	229.4
ESC H70/30B-2/8	2.10	315.0	228,990	6,140	218.8	229.5	247.3
ESC H70/30C-2/8	2.10	351.5	263,320	7,040	247.4	258.1	275.9
ESC H90/40A-2/8	2.30	343.9	413,580	8,855	244.1	258.3	270.0
ESC H90/40B-2/8	2.30	401.5	493,300	10,540	289.2	299.0	315.2
ESC H90/40C-2/8	2.30	437.2	559,710	11,910	317.0	327.0	343.2

Disclaimer:

The information in this catalogue is to the best of knowledge correct at the time of publication. ESC reserves the right to modify data without notice. Unless the application and service of this information is approved by ESC, then no ability can be accepted on the basis of this catalogue. Due to the changing nature of technical standards and information ESC recommends that contact is made with the ESC technical staff in an office near you for the latest product data sheets.

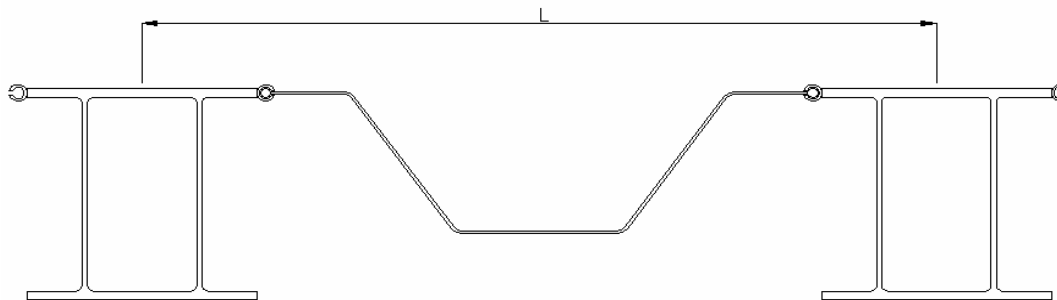


COMBINATION ESC H.../...-2/10

Section	Unit Length L (m)	Properties per meter of wall			Weight Combination		
		Sectional Area (cm ² /m)	Moment of Inertia, I _x (cm ⁴ /m)	Section Modulus, Z _x (cm ³ /m)	SP=60%H (kg/m ²)	SP=75%H (kg/m ²)	SP=100%H (kg/m ²)
		ESC H50/20A-2/10	1.90	225.9	79,580	2,815	139.9
ESC H50/20B-2/10	1.90	239.5	86,195	3,060	150.6	164.6	188.0
ESC H50/20C-2/10	1.90	257.5	95,595	3,400	164.7	178.7	202.1
ESC H60/30A-2/10	2.10	274.1	133,780	4,230	181.3	194.0	215.2
ESC H60/30B-2/10	2.10	291.2	148,675	4,685	194.8	207.5	228.6
ESC H60/30C-2/10	2.10	319.7	167,220	5,270	217.1	229.8	251.0
ESC H70/30A-2/10	2.10	309.3	205,350	5,530	209.0	221.7	242.8
ESC H70/30B-2/10	2.10	332.2	233,370	6,260	226.9	239.6	260.8
ESC H70/30C-2/10	2.10	368.5	267,700	7,155	255.4	268.1	289.3
ESC H90/40A-2/10	2.30	359.6	417,900	8,950	251.4	263.0	282.3
ESC H90/40B-2/10	2.30	417.2	497,620	10,630	296.6	308.2	327.5
ESC H90/40C-2/10	2.30	452.9	563,340	11,985	324.6	336.2	355.5

Disclaimer:

The information in this catalogue is to the best of knowledge correct at the time of publication. ESC reserves the right to modify data without notice. Unless the application and service of this information is approved by ESC, then no ability can be accepted on the basis of this catalogue. Due to the changing nature of technical standards and information ESC recommends that contact is made with the ESC technical staff in an office near you for the latest product data sheets.



COMBINATION ESC H.../...-2/12

Section	Unit Length L	Properties per meter of wall			Weight Combination		
		Sectional Area	Moment of Inertia, I_x	Section Modulus, Z_x	SP=60%H	SP=75%H	SP=100%H
	(m)	(cm^2/m)	(cm^4/m)	(cm^3/m)	(kg/m^2)	(kg/m^2)	(kg/m^2)
ESC H50/20A-2/12	1.90	244.8	84,520	2,990	148.8	165.1	192.2
ESC H50/20B-2/12	1.90	258.5	91,035	3,230	159.5	175.8	202.9
ESC H50/20C-2/12	1.90	276.4	100,450	3,575	173.6	189.9	217.0
ESC H60/30A-2/12	2.10	291.2	138,160	4,370	189.4	204.1	228.6
ESC H60/30B-2/12	2.10	308.4	153,055	4,825	202.8	217.6	242.1
ESC H60/30C-2/12	2.10	336.8	171,615	5,405	225.2	239.9	264.4
ESC H70/30A-2/12	2.10	326.5	209,735	5,650	217.0	231.8	256.3
ESC H70/30B-2/12	2.10	349.3	237,750	6,375	235.0	249.7	274.2
ESC H70/30C-2/12	2.10	385.7	272,080	7,275	263.5	278.2	302.8
ESC H90/40A-2/12	2.30	375.3	421,900	9,035	258.8	272.2	294.6
ESC H90/40B-2/12	2.30	432.7	504,620	10,715	304.0	317.4	339.7
ESC H90/40C-2/12	2.30	468.5	567,710	12,080	332.0	345.5	367.8

Disclaimer:

The information in this catalogue is to the best of knowledge correct at the time of publication. ESC reserves the right to modify data without notice. Unless the application and service of this information is approved by ESC, then no ability can be accepted on the basis of this catalogue. Due to the changing nature of technical standards and information ESC recommends that contact is made with the ESC technical staff in an office near you for the latest product data sheets.